

PREPARED BY : DATE T.Nishioka : july.14.2004	<h1 style="text-align: center;">S H A R P</h1> <p style="text-align: center;">MOBILE LIQUID CRYSTAL DISPLAY GROUP SHARP CORPORATION</p> <h2 style="text-align: center;">SPECIFICATION</h2>	SPEC No. LCP-04031A
CHECKED BY : DATE M.Inoue : july.14.2004		FILE No.
		ISSUE: July.14. 2004
		PAGE: 25 pages APPLICABLE GROUP MOBILE LIQUID CRYSTAL DISPLAY GROUP

DEVICE SPECIFICATION FOR

CG-Silicon TFT-LCD module

MODEL No. **LS037V7DD06**

CUSTOMER'S APPROVAL

DATA _____

BY _____

PRESENTED

BY 中込晴雄

H. NAKATSUJI
 DEPARTMENT GENERAL MANAGER
 ENGINEERING DEPT. V
 MOBILE LCD DESIGN CENTER I
 MOBILE LIQUID CRYSTAL DISPLAY GROUP
 SHARP CORPORATION

NOTICE

This publication is the proprietary of SHARP and is copyrighted, with all rights reserved. Under the copyright laws, no part of this publication may be reproduced or transmitted in any form or by any means, electronic or mechanical for any purpose, in whole or in part, without the express written permission of SHARP. Express written permission is also required before any use of this publication may be made by a third party.

The application circuit examples in this publication are provided to explain the representative applications of SHARP's devices and are not intended to guarantee any circuit design or permit any industrial property right or other rights to be executed. SHARP takes no responsibility for any problems related to any industrial property right or a third party resulting from the use of SHARP's devices, except for those resulting directly from device manufacturing processes.

In the absence of confirmation by device specification sheets, SHARP takes no responsibility for any defects that occur in equipment using any of SHARP's devices, shown in catalogs, data books, etc. Contact SHARP in order to obtain the latest device specification sheets before using any SHARP's device.

SHARP reserves the right to make changes in the specifications, characteristics, data, materials, structures and other contents described herein at any time without notice in order to improve design or reliability. Contact SHARP in order to obtain the latest specification sheets before using any SHARP's device. Manufacturing locations are also subject to change without notice.

Observe the following points when using any device in this publication. SHARP takes no responsibility for damage caused by improper use of the devices.

The devices in this publication are designed for use in general electronic equipment designs, such as:

- Personal computers • Office automation • Telecommunication equipment
- Test and measurement equipment • Industrial control
- Audio visual and multimedia equipment • Consumer electronics

The appropriate design measures should be taken to ensure reliability and safety when SHARP's devices are used for equipment such as:

- Transportation control and safety equipment(i.e., aircraft, trains, automobiles, etc.)
- Traffic signals • Gas leakage sensor breakers
- Alarm equipment • Various safety devices etc.

SHARP's devices shall not be used for equipment that requires extremely high level of reliability, such as:

- Military and space applications • Nuclear power control equipment
- Medical equipment for life support

Contact a SHARP representative, in advance, when intending to use SHARP's devices for any "specific" applications other than those recommended by SHARP.

Contact and consult with a SHARP representative if there are any questions about the contents of this publication.

(1) Application

This literature applies to LS037V7DD06.

(2) Overview

This module is a color transfective and active matrix LCD module incorporating CG-Silicon TFT (Continuous Grain-Silicon Thin Film Transistor), named AD-TFT (Advanced TFT). It is composed of a color TFT-LCD panel, driver ICs, an FPC, a back light and a back sealed casing. It isn't composed control circuit. Graphics and texts can be displayed on a $480 \times 3 \times 640$ dots panel with 262,144 colors by supplying.

This LCD module has multi resolution and multi colors functions. A resolution mode is selective in VGA ($480H \times 640V$) or QVGA ($240H \times 320V$). A Color mode is selective in 262,144 colors (18bit RGB) or 8 colors (3bit RGB).

Optimum view angle is 6 o'clock. An inverted display mode is selective in the vertical and the horizontal direction.

(3) Mechanical specifications

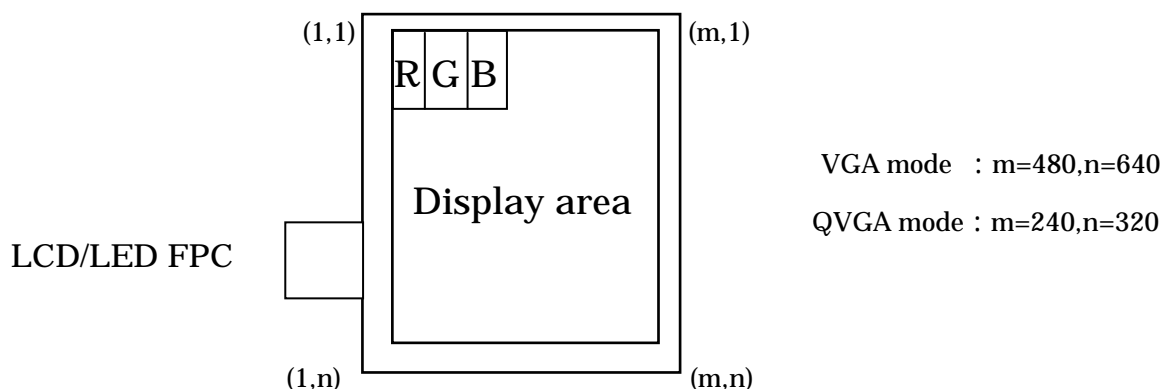
Table 1

Parameter	Specifications	Units	Remarks
Screen size (Diagonal)	9.4 [3.7 "] Diagonal	cm	
Display active area	56.16 (H) × 74.88 (V)	mm	
Pixel format	480(H) × 640(V) (1 pixel = R+G+B dots)	pixels	
Pixel pitch	0.039 (H) × 0.117 (V)	mm	
Pixel configuration	R,G,B vertical stripe		
Unit outline dimension	65.0(W) × 90.0(H) × 3.35(D)	mm	【Note3-1】
Mass	Typ 39	g	

【Note 3-1】

Excluding protrusion. For detailed measurements and tolerances, please refer to Fig. 1.

(4) Pixel configuration



(5)Input/Output terminal

5-1)TFT-LCD panel driving section

Table2

Pin No.	Symbol	I/O	Description	Remarks
1	GVSS	-	Power supply of driver (low level2)	
2	GND	-	Ground	
3	GND	-	Ground	
4	INI	I	Control signal of driver	【Note5-1】
5	SPS	I	Start signal of gate driver	
6	CLS	I	Clock signal of gate driver	
7	MO	I	Selection for resolution (VGA or QVGA)	【Note5-2】
8	U/L	I	Selection for vertical scanning direction	【Note5-3】
9	R0	I	RED data signal (LSB)	
10	R1	I	RED data signal	
11	R2	I	RED data signal	
12	R3	I	RED data signal	
13	R4	I	RED data signal	
14	R5	I	RED data signal (MSB)	
15	G0	I	GREEN data signal (LSB)	
16	G1	I	GREEN data signal	
17	G2	I	GREEN data signal	
18	G3	I	GREEN data signal	
19	G4	I	GREEN data signal	
20	G5	I	GREEN data signal (MSB)	
21	B0	I	BLUE data signal (LSB)	
22	B1	I	BLUE data signal	
23	B2	I	BLUE data signal	
24	B3	I	BLUE data signal	
25	B4	I	BLUE data signal	
26	B5	I	BLUE data signal (MSB)	
27	VSSD	-	Power supply of driver (low level1)	【Note5-4】
28	GND	-	Ground	
29	DCLK	I	Data sampling clock signal	
30	VSHD	-	Power supply (digital)	【Note5-4】
31	VCOM	I	Common electrode driving signal	
32	VDD	-	Power supply of driver (High level)	【Note5-4】
33	CsCOM	I	Cs electrode driving signal	【Note5-4】
34	VSHA	-	Power supply (analog)	【Note5-4】
35	V4	I	Standard voltage to generate gray scale voltage :option	
36	V3	I	Standard voltage to generate gray scale voltage :option	

Pin No.	Symbol	I/O	Description	Remarks
37	V2	I	Standard voltage to generate gray scale voltage :option	
38	V1	I	Standard voltage to generate gray scale voltage :option	
39	V0	I	Standard voltage to generate gray scale voltage :option	
40	SPL	I/O	Sampling start signal	【Note5-5】
41	SPR	I/O	Sampling start signal	【Note5-5】
42	LP	I	Data latch signal of source driver	
43	CO	I	Selection for color mode (18bit or 1bit digital RGB)	【Note5-6】
44	REV	I	Reverse control signal	
45	COM	O	Produce REV signal with the amplitude of AGND - VSHA :option	
46	LBR	I	Selection for horizontal scanning direction	【Note5-5】
47	ASC	I	Analog switch control signal	
48	SSC	I	Source signal control	
49	GND	-	Ground	
50	LED+	-	Power supply for LED (High voltage)	【Note5-4】
51	LED-	-	Power supply for LED (Low voltage)	

【Note5-1】 See section(7-1)-(A) ” Cautions when you turn on or off the power supply”.

【Note5-2】 Selection for resolution mode

MO	Resolution
High	VGA
Low	QVGA

【Note5-3】 Selection for vertical scanning direction

U/L	Scanning direction (Pixel configuration)
High	Conventional scanning (X , 1) (X , Y)
Low	Inverted scanning (X , 1) (X , Y)

VGA mode: Y=640, QVGA mode: Y=320

【Note5-4】 When superfluous current flows, please intercept current with a fuse etc.

【Note5-5】 Selection for horizontal scanning direction

LBR	SPL	SPR	Scanning direction (Pixel configuration)
High	Input	Output	Normal scanning (1,Y) (X,Y)
Low	Output	Input	Inverted scanning (1,Y) (X,Y)

VGA mode: X=480, QVGA mode: X=240

【Note5-6】 Selection for color mode

CO	Color variation
High	262,144 colors (18bit RGB colors)
Low	8 colors (3bit RGB colors)

(6) Absolute Maximum Ratings

Table 4

Parameter	Symbol	Condition	Ratings	Unit	Remark
Power supply (COG driver / Analog)	VSHA	Ta=25	-0.3 ~ +6.0	V	
Power supply (COG driver / Digital)	VSHD	Ta=25	-0.3 ~ +4.0	V	
Power supply (monolithic driver)	VDD	Ta=25	-0.3 ~ +9.0	V	
Power supply (monolithic driver)	VSSD	Ta=25	-5.0 ~ +0.3	V	
Power supply (monolithic driver)	GVSS	Ta=25	-9.0 ~ +0.3	V	
Input voltage (Analog)	VIA	Ta=25	-0.3 ~ VSHA+0.3		[Terminal]
Input voltage (Digital)	VID	Ta=25	-0.3 ~ VSHD+0.3	V	[Terminal]
Input voltage (VCOM, CsCOM)	VCOM	Ta=25	-2.0 ~ +4.5V	V	
	CsCOM	Ta=25	-0.3 ~ +14.0V	V	
Operating temperature(Panel surface)	T opp	-	-10 ~ 60		【Note6-1】
Storage temperature	T stg	-	-20 ~ 70		【Note6-1】

[Terminal] V0 ~ V4

[Terminal] SSC,ASC,LBR,REV,CO,LP,SPR,SPL,DCLK,R0 ~ R5,G0 ~ G5,B0 ~ B5,U/L,MO,CLS,SPS,INI

【Note6-1】 Humidity: 95%RH Max.(at Ta 40). Maximum wet-bulb temperature is less than 39
(at Ta > 40). Condensation of dew must be avoided.

(7)Electrical characteristics

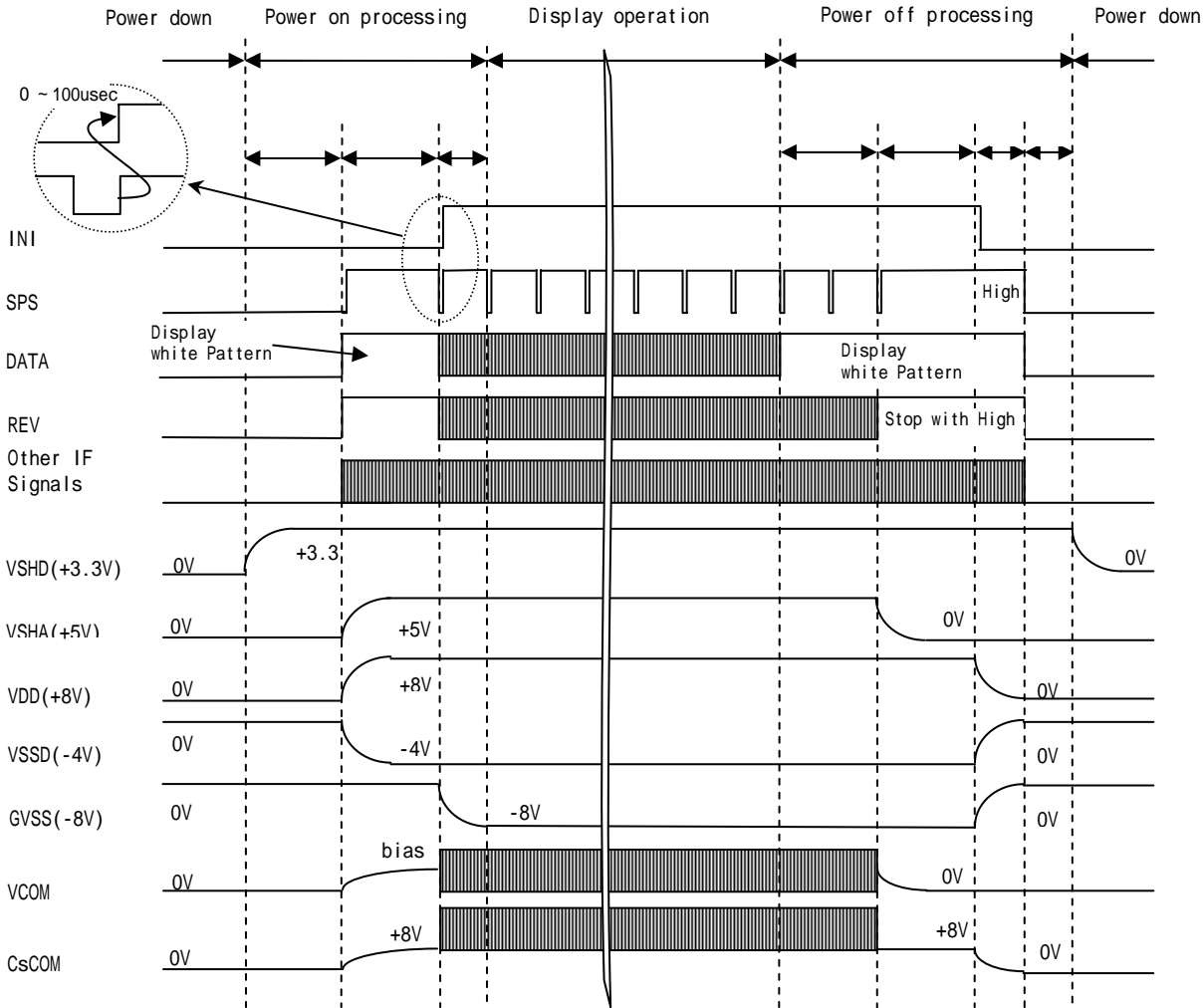
7-1) Recommended operating conditions

A) TFT-LCD panel driving section

Table 5 GND=0V

Parameter		Symbol	Min.	Typ.	Max.	Unit	Remarks
Supply voltage for COG driver	Analog	VSHA	+4.8	+5.0	+5.2	V	
	Digital	VSHD	+3.0	+3.3	+3.6	V	
Supply voltage for monolithic driver	High voltage	VDD	+7.6	+8.0	+8.4	V	
	Low voltage	VSSD	-4.4	-4.0	-3.6	V	
	Low voltage	GVSS	-8.4	-8.0	-7.6	V	
Gray scale voltage		V0 ~ V4	GND		VSHA	V	【Note 7-1】
Input voltage (Low)		VILS	GND	-	0.2VSHD	V	【Note 7-2】
Input voltage (High)		VIHS	0.8VSHD	-	VSHD	V	【Note 7-2】
Input current (Low)		IILS	-	-	1	μA	【Note 7-2】
Input current (High)		IIHS	-	-	1	μA	【Note 7-2】
Common electrode driving signal	AC component	VCOMAC	-	± 2.5	± 2.6	Vp-p	【Note 7-3】
	DC component	VCOMDC	+0.1	+1.1	+2.1	V	【Note 7-3】
Cs electrode driving signal	AC component	CsCOMAC	-	5.0	5.2	Vp-p	【Note 7-4】
	DC component	CsCOMDC	+7.6	+8.0	+8.4	V	【Note 7-4】

Cautions when you turn on or off the power supply



Stabilize VSHD(3.3V) within double vertical periods second.

Supply SPS, DATA(White pattern), REV(with High), and other signals. Stabilize VSHA(+5V), VDD(+8V), VSSD(-4V) within double vertical periods.

INI signal and GVSS(-8V) are supplied. Stabilize GVSS(-8V) within single vertical period.

White pattern is displayed during double or more vertical periods.

REV signal is stopped with High level. VSHA(+5V) supply is stopped, which is stabilized within double vertical periods.

VDD(+8V),VSSD(-4V) and GVSS(-8V) supplies are stopped, which are stabilized within double vertical periods.

SPS,DATA,REV and other IF signals are stopped with Low level. Then VSHD(+3.3V) supply is stopped.

【Note 7-1】 These are standard input voltages for gray scale. When VCOM is alternated polarity, these voltage should be alternated polarity. V0(black) is different polarity alternating signal of VCOM. V4(white) is the same polarity alternating signal of VCOM. Center voltage of each standard input voltage shift positive way for LCD characteristics (V0 V1 V2 V3 V4). This shift amount is adjusted so as to no flicker of each standard input voltage after DC bias voltage of VCOM and V0 is adjusted.

【Note 7-2】 SSC,ASC,LBR,REV,CO,LP,SPR,SPL,DCLK,U/L,MO,CLS,SPS,INI,R0 ~ R5,G0 ~ G5,B0 ~ B5 terminals are applied.

【Note 7-3】 VCOMAC should be alternated on VCOMDC every 1 horizontal period and 1 vertical period. VCOMDC bias is adjusted so as to minimize flicker or maximum contrast every each module . $VCOM=VCOMAC+VCOMDC$

【Note 7-4】 CsCOMAC should be alternated on CsCOMDC every 1 horizontal period and 1 vertical period. CsCOM's phase is as same as VCOM's. $CsCOM=CsCOMAC+CsCOMDC$

B) Back light driving section

Table 6

Ta=25

Parameter	Symbol	MIN	TYP	MAX	Units	Remarks terminal
LED voltage	VL	-	32.4	37.8	V	【Note 7-5】
LED current	IL	-	15.0	20.0	mA	
Power consumption	WL	-	486	-	mW	【Note 7-6】

【Note 7-5】 VL(TYP) at IL=15mA. VL(MAX) at IL=20mA.

【Note 7-6】 Calculated reference value(IL(TYP) × VL(TYP))

7-2) Timing Characteristics of input signals

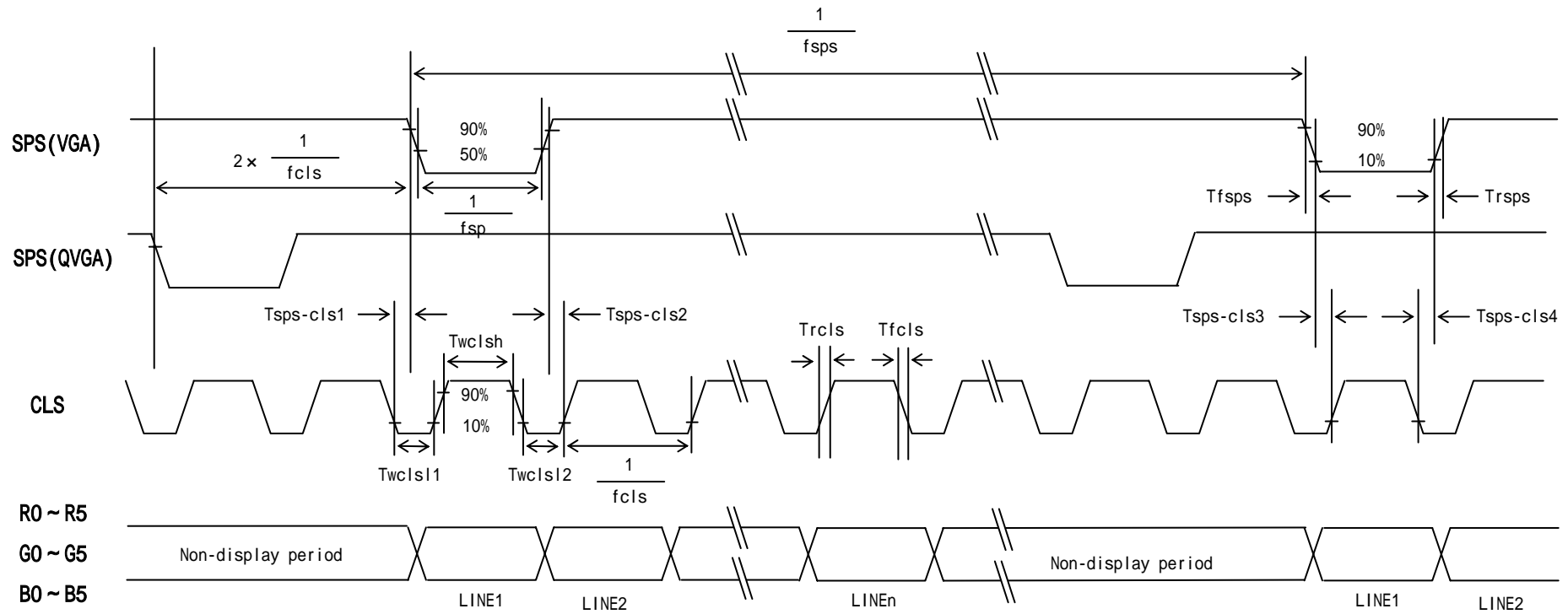
Table 7 AC Characteristics

(VSHA=+5.0V, VSHD=+3.3V, VDD=+8.0, VSSD=-4V GVSS=-8.0Ta=25)

Terminal	Parameter	Symbol	Mode	Min.	Typ.	Max.	Unit	
DCK	Clock frequency of source driver	fck	VGA	19.4	-	28	MHz	
			QVGA	5.0	-	6.8		
	Rising time of clock	Tcr		-	-	6	ns	
	Falling time of clock	Tcf		-	-	6	ns	
	Pulse width (High level)	Tcwh		12	-	-	ns	
	Pulse width (Low level)	Tcwl		12	-	-	ns	
SPL,SPR	Frequency of start pulse	fsp	VGA	35.5		39.5	kHz	
			QVGA	17.9		19.9		
	Rising time of start pulse	Trsp				10	ns	
	Falling time of start pulse	Tfsp				10	ns	
	Setup time of start pulse	Tsusp		10			ns	
	Hold time of start pulse	Thsp		10			ns	
	Pulse width of start pulse 【Note 7-7】	Twsp				1.5/fck	ns	
LP	Rising time of latch pulse	Trlp				50	ns	
	Falling time of latch pulse	Tflp				50	ns	
	Setup time of latch pulse	Tsulp		100			ns	
	Hold time of latch pulse	Thlp		50			ns	
	Pulse width of latch pulse	Twlp		50			ns	
	Phase COM - latch pulse	Tcom-lp		100			ns	
SSC	Rising time of Source signal control	Trssc				10	ns	
	Falling time of Source signal control	Tfssc				10	ns	
	Pulse width of Source signal control	Twssc		50			ns	
	Pulse period of SSC	Tpssc	VGA	7.3				μs
			QVGA	14.6				
	Phase of SSC - ASC	Tssc-asc			0		ns	
R0 ~ R5	Setup time of data	Tsud		10			ns	
G0 ~ G5 B0 ~ B5	Hold time of data	Thd		10			ns	
ASC	Rising time of Analog SW control signal	Trasc				10	ns	
	Falling time of Analog SW control signal	Tfasc				10	ns	
	Pulse width of Analog SW control signal	Twasc		50			ns	
	Setup time of Analog SW control signal	Tsuasc		1			μs	
	Hold time of Analog SW control signal	Thasc	VGA	1.5				μs
			QVGA	3.0				
	Pulse period of Analog SW control signal	Tpasc1	VGA	5.95				μs
QVGA			11.9					
Pulse period of Analog SW control signal	Tpasc2	VGA	1.35				μs	
		QVGA	2.7					

Terminal	Parameter	Symbol		Min.	Typ.	Max.	Unit
CLS	Clock frequency	fcls	VGA	35.5		39.5	kHz
			QVGA	17.9		19.9	
	Rising time of clock	Trcls				50	ns
	Falling time of clock	Tfcls				50	ns
	Setup time of clock	Tsucls		100			ns
	Pulse width of clock (Low1)	Twcls1	VGA	2		4.5	μ s
			QVGA	3		9	
	Pulse width of clock (Low2)	Twcls2	VGA	2		4.5	μ s
			QVGA	3		9	
	Pulse width of clock(High)	Twclsh	VGA	23			μ s
QVGA			46.1				
Phase SPS - CLS	Tsps-cls1		1			μ s	
Phase SPS - CLS	Tsps-cls2		1			μ s	
Phase SPS - CLS	Tsps-cls3		1			μ s	
Phase SPS - CLS	Tsps-cls4		1			μ s	
SPS	Rising time of start pulse	Trsps				50	ns
	Falling time of start pulse	Tfsps				50	ns
	Frequency of start pulse	fsps	VGA	55	60	61.3	Hz
QVGA			55	60	61.6		
VCOM CsCOM	Setup time of VCOM and CsCOM	Tsucom	VGA	2			μ s
			QVGA	4			
VCOM CsCOM	Hold time of VOM and CsCOM	Thcom	VGA	1			μ s
			QVGA	2			

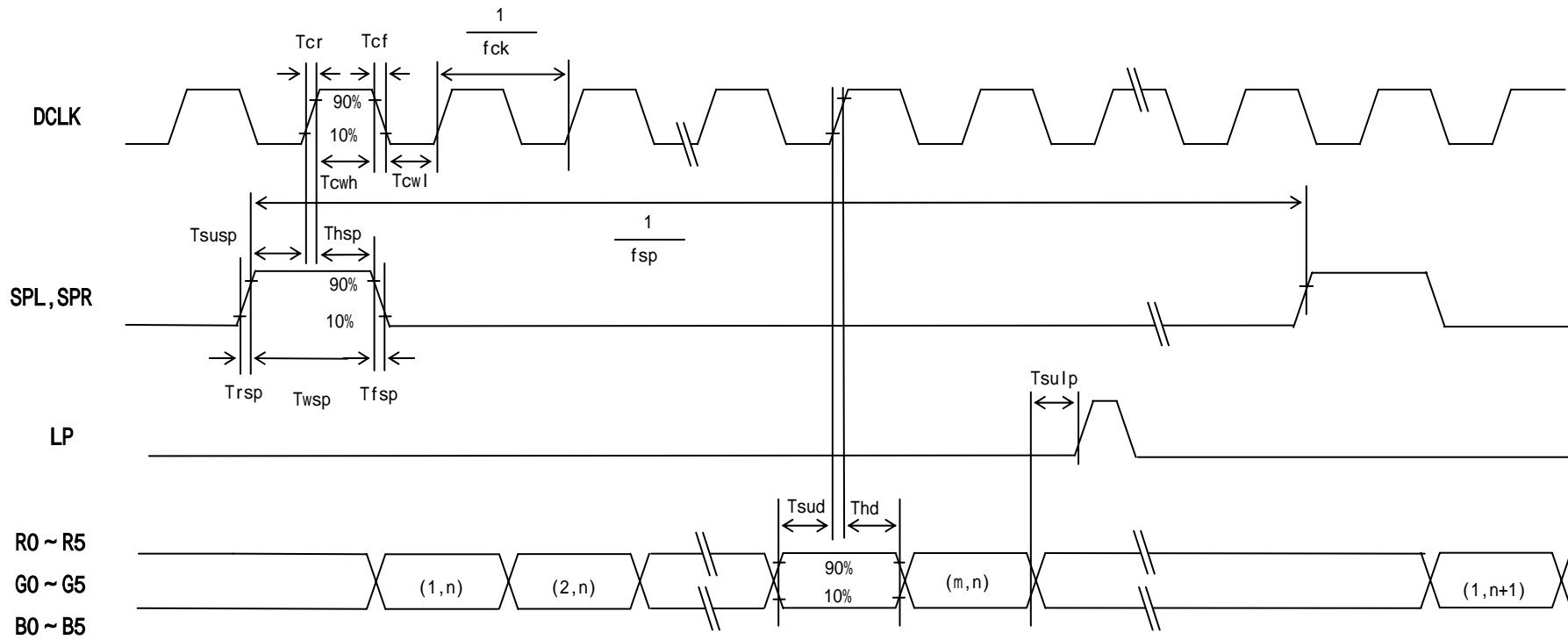
【Note 7-7】 There must be only one up-edge of DCLK(includes Tsusp and Thsp time) in the period SPL(orSPR)= " High



VGA mode : n=640

QVGA mode : n=320

Fig.(a) Vertical timing chart



VGA mode : m=480

QVGA mode : m=240

Fig.(b) Horizontal timing chart

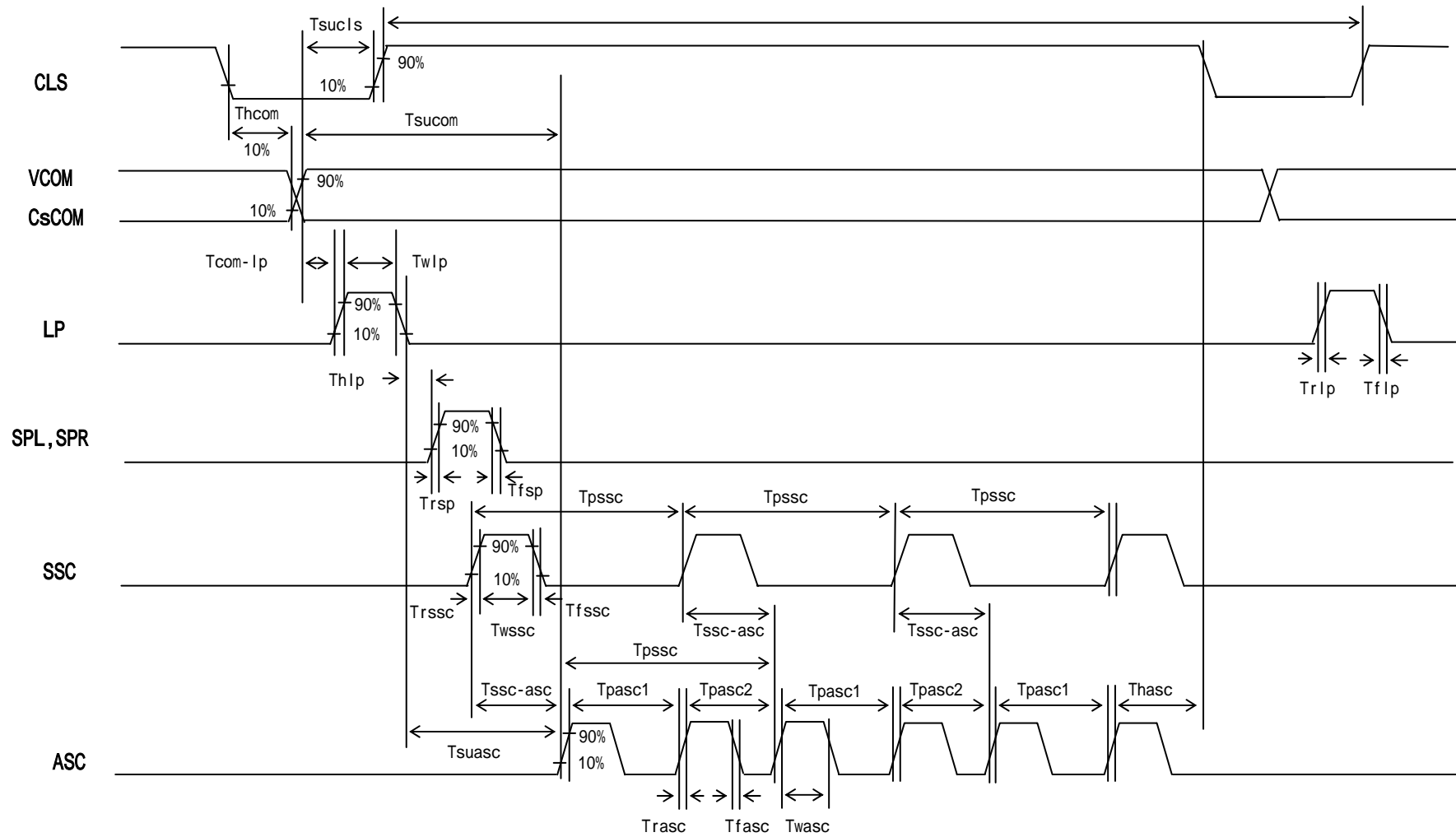


Fig.(c) Horizontal timing chart

7-3)Power consumption

Measurement condition : SPS=60Hz,CLS=38.85kHz,SPL=38.85kHz,DCLK=25.175MHz,Ta=25

Table 8 when conventional scan mode

Parameter		Sym	Conditions	MIN	TYP	MAX	Unit	Remarks
COG driver current	Analog	ISHA	VSHA=+5.0V	-	5.5	11.0	mA	【Note7-8】
	Digital	ISHD	VSHD=+3.3V	-	2.3	4.6	mA	【Note7-8】
Monolithic driver current	High	IVDD	VDD=+8.0V	-	0.7	2.0	mA	【Note7-9】
	Low	IVSSD	VSSD=-4.0V	-	-0.6	-1.7	mA	【Note7-9】
	Low	IGVSS	GVSS=-8.0V	-	-0.1	-0.3	mA	【Note7-9】

【Note 7-8】 Vertical stripe pattern alternating 21 gray scale (GS21) with 42 gray scale (GS42) every 1 dot.

【Note 7-9】 64-Gray-bar vertical pattern (GS0 ~ GS63 for horizontal way)

8 .Input Signals, Basic Display Color and Gray Scale of Each Color

Table 9 18bit RGB color display mode (CO=High)

Colors & Gray scale	Data signal																			
	Gray Scale	R0	R1	R2	R3	R4	R5	G0	G1	G2	G3	G4	G5	B0	B1	B2	B3	B4	B5	
Basic color	Black	-	0	0	0	0	0	0	0	0	0	0	0	0	0	0	0	0	0	0
	Blue	-	0	0	0	0	0	0	0	0	0	0	0	0	1	1	1	1	1	1
	Green	-	0	0	0	0	0	0	1	1	1	1	1	1	0	0	0	0	0	0
	Cyan	-	0	0	0	0	0	0	1	1	1	1	1	1	1	1	1	1	1	1
	Red	-	1	1	1	1	1	1	0	0	0	0	0	0	0	0	0	0	0	0
	Magenta	-	1	1	1	1	1	1	0	0	0	0	0	0	1	1	1	1	1	1
	Yellow	-	1	1	1	1	1	1	1	1	1	1	1	1	0	0	0	0	0	0
	White	-	1	1	1	1	1	1	1	1	1	1	1	1	1	1	1	1	1	1
Gray Scale of red	Black	GS0	0	0	0	0	0	0	0	0	0	0	0	0	0	0	0	0	0	0
	↑	GS1	1	0	0	0	0	0	0	0	0	0	0	0	0	0	0	0	0	0
	Darker	GS2	0	1	0	0	0	0	0	0	0	0	0	0	0	0	0	0	0	0
	↑	↓			↓					↓					↓					
	↓	↓			↓					↓					↓					
	Brighter	GS61	1	0	1	1	1	1	0	0	0	0	0	0	0	0	0	0	0	0
	↓	GS62	0	1	1	1	1	1	0	0	0	0	0	0	0	0	0	0	0	0
	Red	GS63	1	1	1	1	1	1	0	0	0	0	0	0	0	0	0	0	0	0
Gray Scale of green	Black	GS0	0	0	0	0	0	0	0	0	0	0	0	0	0	0	0	0	0	0
	↑	GS1	0	0	0	0	0	0	1	0	0	0	0	0	0	0	0	0	0	0
	Darker	GS2	0	0	0	0	0	0	0	1	0	0	0	0	0	0	0	0	0	0
	↑	↓			↓					↓					↓					
	↓	↓			↓					↓					↓					
	Brighter	GS61	0	0	0	0	0	0	1	0	1	1	1	1	0	0	0	0	0	0
	↓	GS62	0	0	0	0	0	0	0	1	1	1	1	1	0	0	0	0	0	0
	Green	GS63	0	0	0	0	0	0	1	1	1	1	1	1	0	0	0	0	0	0
Gray Scale of bleu	Black	GS0	0	0	0	0	0	0	0	0	0	0	0	0	0	0	0	0	0	0
	↑	GS1	0	0	0	0	0	0	0	0	0	0	0	0	1	0	0	0	0	0
	Darker	GS2	0	0	0	0	0	0	0	0	0	0	0	0	0	1	0	0	0	0
	↑	↓			↓					↓					↓					
	↓	↓			↓					↓					↓					
	Brighter	GS61	0	0	0	0	0	0	0	0	0	0	0	0	1	0	1	1	1	1
	↓	GS62	0	0	0	0	0	0	0	0	0	0	0	0	0	1	1	1	1	1
	Bleu	GS63	0	0	0	0	0	0	0	0	0	0	0	0	1	1	1	1	1	1

0 : Low level voltage 1 : High level voltage

Each basic color can be displayed in 64 gray scales from 6 bit data signals. According to the combination of total 18 bit data signals, the 262,144-color display can be achieved on the screen.

Table 10 3bit RGB color display mode (CO=Low)

Colors & Gray scale	Data signal																		
	Gray Scale	R0	R1	R2	R3	R4	R5	G0	G1	G2	G3	G4	G5	B0	B1	B2	B3	B4	B5
Basic color	Black	-	-	-	-	-	0	-	-	-	-	-	0	-	-	-	-	-	0
	Blue	-	-	-	-	-	0	-	-	-	-	-	0	-	-	-	-	-	1
	Green	-	-	-	-	-	0	-	-	-	-	-	1	-	-	-	-	-	0
	Cyan	-	-	-	-	-	0	-	-	-	-	-	1	-	-	-	-	-	1
	Red	-	-	-	-	-	1	-	-	-	-	-	0	-	-	-	-	-	0
	Magenta	-	-	-	-	-	1	-	-	-	-	-	0	-	-	-	-	-	1
	Yellow	-	-	-	-	-	1	-	-	-	-	-	1	-	-	-	-	-	0
	White	-	-	-	-	-	1	-	-	-	-	-	1	-	-	-	-	-	1

0 :Low level voltage 1 :High level voltage - :High or Low level voltage constant

(9)Optical characteristics

9-1) Not driving the Back light condition

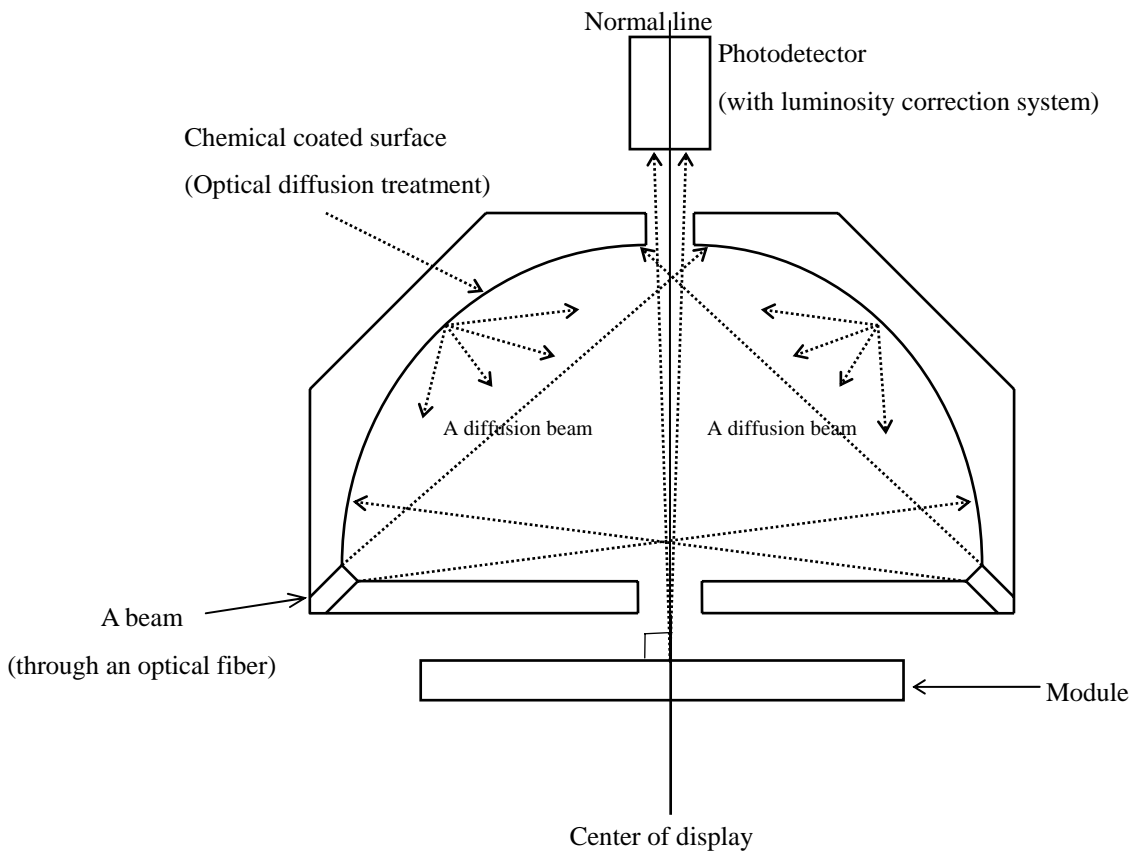
Table 11

Ta=25°C

Parameter	Symbol	Condition	Min	Typ	Max	Unit	Remarks
Viewing angle Range	$\theta_{21,22}$	$CR \geq 2$	20	30	-	degree	[Note 9-1,2]
	θ_{11}		20	30	-	degree	
	θ_{12}		20	30	-	degree	
Contrast ratio	CRmax	$\theta = 0^\circ$	3	5	-		[Note 9-2,4]
Response time	Rise	$\theta = 0^\circ$	-	30	60	ms	[Note 9-3]
	Fall		-	50	100	ms	
White chromaticity	x	$\theta = 0^\circ$	0.24	0.29	0.34		[Note 9-4]
	y		0.28	0.33	0.38		
Reflection ratio	R	$\theta = 0^\circ$	4	6	-	%	[Note 9-5]

* The measuring method of the optical characteristics is shown by the following figure.

* A measurement device is Otsuka luminance meter LCD5200.(With the diffusion reflection unit.)



Measuring method (a) for optical characteristics

9-2) Driving the Back light condition

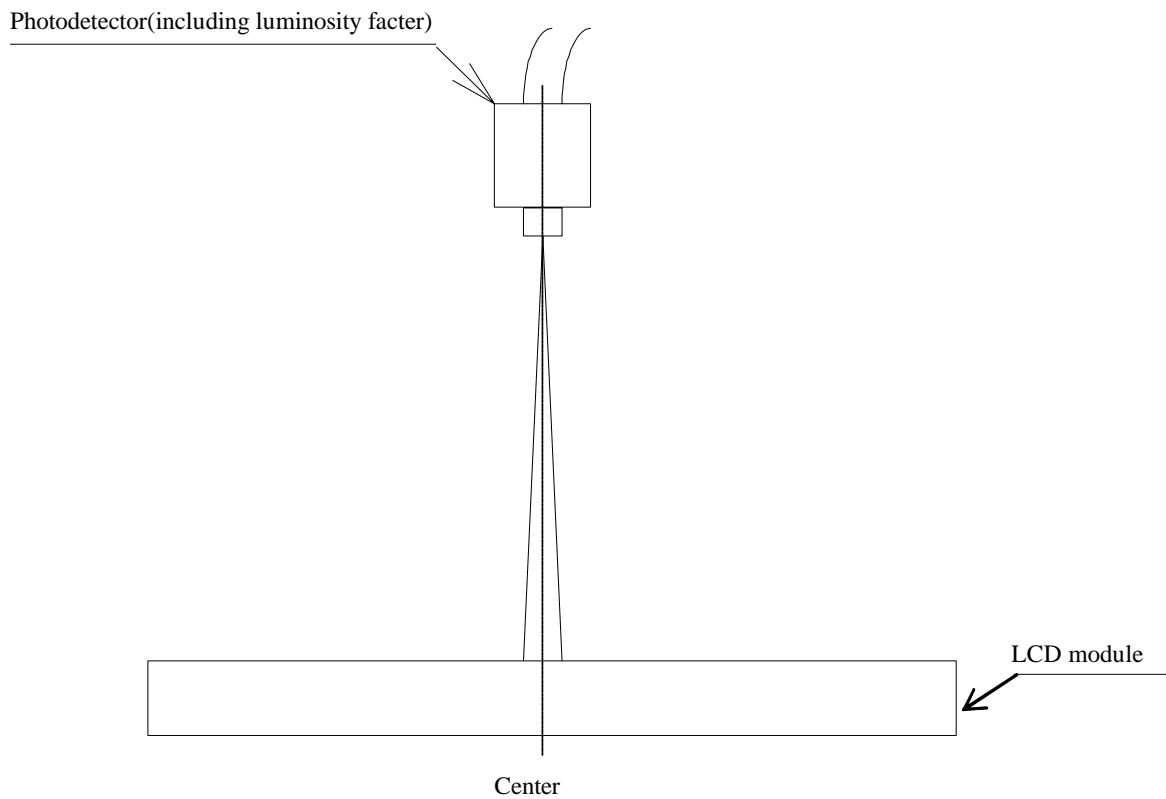
Table 12

Ta=25°C

Parameter	Symbol	Condition	Min	Typ	Max	Unit	Remarks
Viewing angle range	θ1,22	CR≥2	30	40	-	degree	[Note 9-1,2,6]
	θ11		30	40	-	degree	
	θ12		30	40	-	degree	
Contrast ratio	Crmax	θ = 0°	70	100	-		[Note 9-2]
Response time	Rise τ r		-	30	60	ms	[Note 9-3]
	Fall τ d		-	50	100	ms	
White chromaticity	x		0.23	0.28	0.33		
	y		0.25	0.30	0.35		
Brightness	Y	θ = 0°	85	100	-	(cd/m ²)	IL=15mA

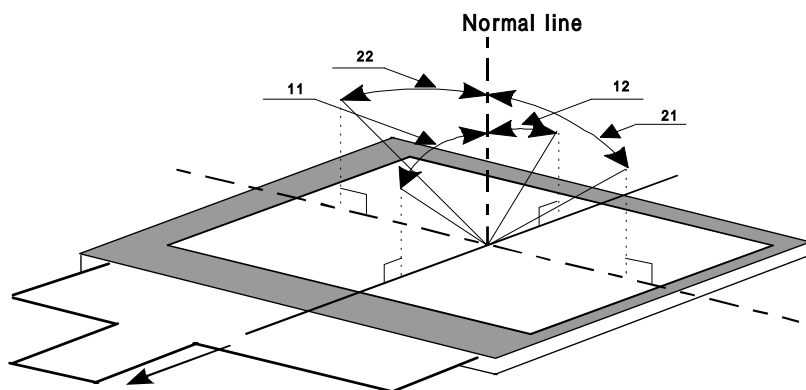
* The measuring method of the optical characteristics is shown by the following figure.

* A measurement device is TOPCON luminance meter BM-5(A).(Viewing cone 1)



Measuring method (b) for optical characteristics

[Note 9-1] Viewing angle range is defined as follows.



6 o'clock direction

Definition for viewing angle

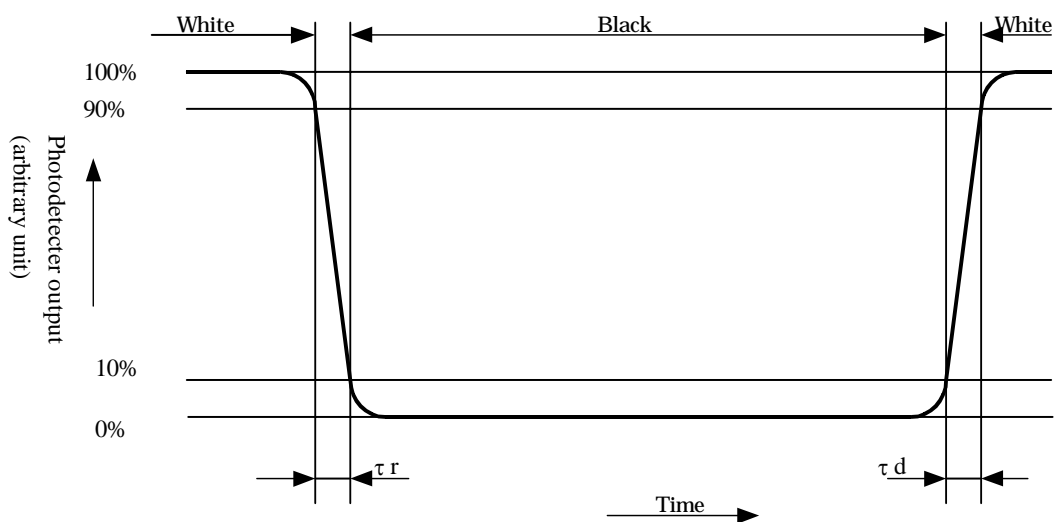
[Note 9-2] Definition of contrast ratio:

The contrast ratio is defined as follows:

$$\text{Contrast ratio(CR)} = \frac{\text{Photodetector output with all pixels white(GS63)}}{\text{Photodetector output with all pixels black(GS0)}} \times \frac{V_{COMAC}}{5.0V_{p-p}}$$

[Note 9-3] Definition of response time:

The response time is defined as the following figure and shall be measured by switching the input signal for "black" and "white".



[Note 9-4] A measurement device is Minolta CM-2002.

[Note 9-5] Definition of reflection ratio

$$\text{Reflection ratio} = \frac{\text{Light detected level of the reflection by the LCD module}}{\text{Light detected level of the reflection by the standard white board}}$$

[Note 9-6] A measurement device is ELDIM EZContrast

(10) Display quality

The display quality of the color TFT-LCD module shall be in compliance with the Incoming Inspection Standards for TFT-LCD..

(11) Mechanical characteristics

11-1) External appearance

See Fig. 1

11-2) FPC (for LCD panel) characteristics

(1) Specific connector

LCD-FPC : JAE FF0251SS1 (Bottom contact only)

(2) Bending endurance

No line of the FPC is broken for the bending test (Bending radius=0.6mm and angle=90°) in 30 cycles.

(12) Handling Precautions

12-1) Insertion and taking out of FPCs

Be sure insert and take out of the FPC into the connector of the set after turning off the power supply on the set side.

12-2) Handling of FPCs

The FPC for LCD panel shall be bent only slit portion. The bending slit shall be bent uniformly on the whole slit portion with bending radius larger than 0.6mm ,and only inner side (back side of the module). Don't bend it outer side (display surface side).

Don't give the FPCs too large force, for example, hanging the module with holding FPC.

12-3) Installation of the module

On mounting the module, be sure to fix the module on the same plane. Taking care not to warp or twist the module.

12-4) Precaution when mounting

- (1) If water droplets and oil attaches to it for a long time, discoloration and staining occurs. Wipe them off immediately.
- (2) Glass is used for the TFT-LCD panel. If it is dropped or bumped against a hard object, it may be broken. Handle it with sufficient care.
- (3) As the CMOS IC is used in this module, pay attention to static electricity when handling it. Take a measure for grounding on the human body.

12-5) Others

- (1) The liquid-crystal is deteriorated by ultraviolet rays. Do not leave it in direct sunlight and strong ultraviolet rays for many hours.
- (2) If it is kept at a temperature below the rated storage temperature, it becomes coagulated and the panel may be broken. Also, if it is kept at a temperature above the rated storage temperature, it becomes isotropic liquid and does not return to its original state. Therefore, it is desirable to keep it at room temperature as much as possible.
- (3) If the LCD breaks, don't put internal liquid crystal into the mouth. When the liquid crystal sticks to the hands, feet and clothes, wash it out immediately.
- (4) Wipe off water drop or finger grease immediately. Long contact with water may cause discoloration or spots.
- (5) Observe general precautions for all electronic components.
- (6) VCOM must be adjusted on condition of your final product. No adjustment causes the deterioration for display quality.
- (7) Static image should not be displayed more than 5 minutes in order to prevent from occurrence of residual image.

(13) Reliability Test Conditions for TFT-LCD Module

Table 14

No.	Test items	Test conditions
1	High temperature storage test	Ta=+70 240h
2	Low temperature storage test	Ta=-20 240h
3	High temperature and high humidity operating test	Tp=+40 , 95%RH 240h (But no condensation of dew)
4	High temperature operating test	Tp=+60 240h
5	Low temperature operating test	Tp=-10 240h
6	Electro static discharge test	$\pm 200V \cdot 200pF(0)$ 1 time for each terminals
7	Shock tset	980 m/s ² , 6 ms $\pm X, \pm Y, \pm Z$ 3 times for each direction (JIS C0041, A-7 Condition C)
8	Vibration test	Frequency range: 10Hz ~ 55Hz Stroke: 1.5 mm Sweep: 10Hz ~ 55Hz X,Y,Z 2 hours for each direction (total 6 hours) (JIS C0040,A-10 Condition A)
9	Heat shock test	Ta=-20 ~ +70 / 5 cycles (1h) (1h)

【Note】 Ta = Ambient temperature, Tp = Panel temperature

【Check items】

In the standard condition, there shall be no practical problems that may affect the display function.

(14) Others

14-1) Indication of lot number

The lot number is shown on a label. Attached location is shown in Fig.1 (Outline Dimensions).

Indicated contents of the label

LS037V7DD06	
model No.	lot No.

14-2) Used Regulation of Chemical Substances Breaking Ozone Stratum

Substances with the object of regulating : CFCS, Carbon tetrachloride, Halon

1,1,1-Trichloro ethane (Methyl chloroform)

- (a) This LCD module, Constructed part and Parts don't contain the above substances.
- (b) This LCD module, Constructed part and Parts don't contain the above substances in processes of manufacture.

14-3) If some problems arise about mentioned items in this document and other items, the user of the TFT-LCD module and Sharp will cooperate and make efforts to solve the problems with mutual respect and good will.

(15) Forwarding form (see Fig.2 Package Form)

- a) Piling number of cartons : MAX 8
- b) Package quality in one cartons : 100pcs
- c) Carton size : 575mm × 360mm × 225mm
- d) Total mass of 1 carton filled with full modules : 7900g

Conditions for storage.

Environment

- (1) Temperature : 0 ~ 40
- (2) Humidity : 60%RH or less (at 40)
No dew condensation at low temperature and high humidity.
- (3) Atmosphere : Harmful gas, such as acid or alkali which bites electronic components and/or wires, must not be detected.
- (4) Period : about 3 months
- (5) Opening of the package : In order to prevent the LCD module from breakdown by electrostatic charges, please control the room humidity over 50%RH and open the package taking sufficient countermeasures against electrostatic charges, such as earth, etc.

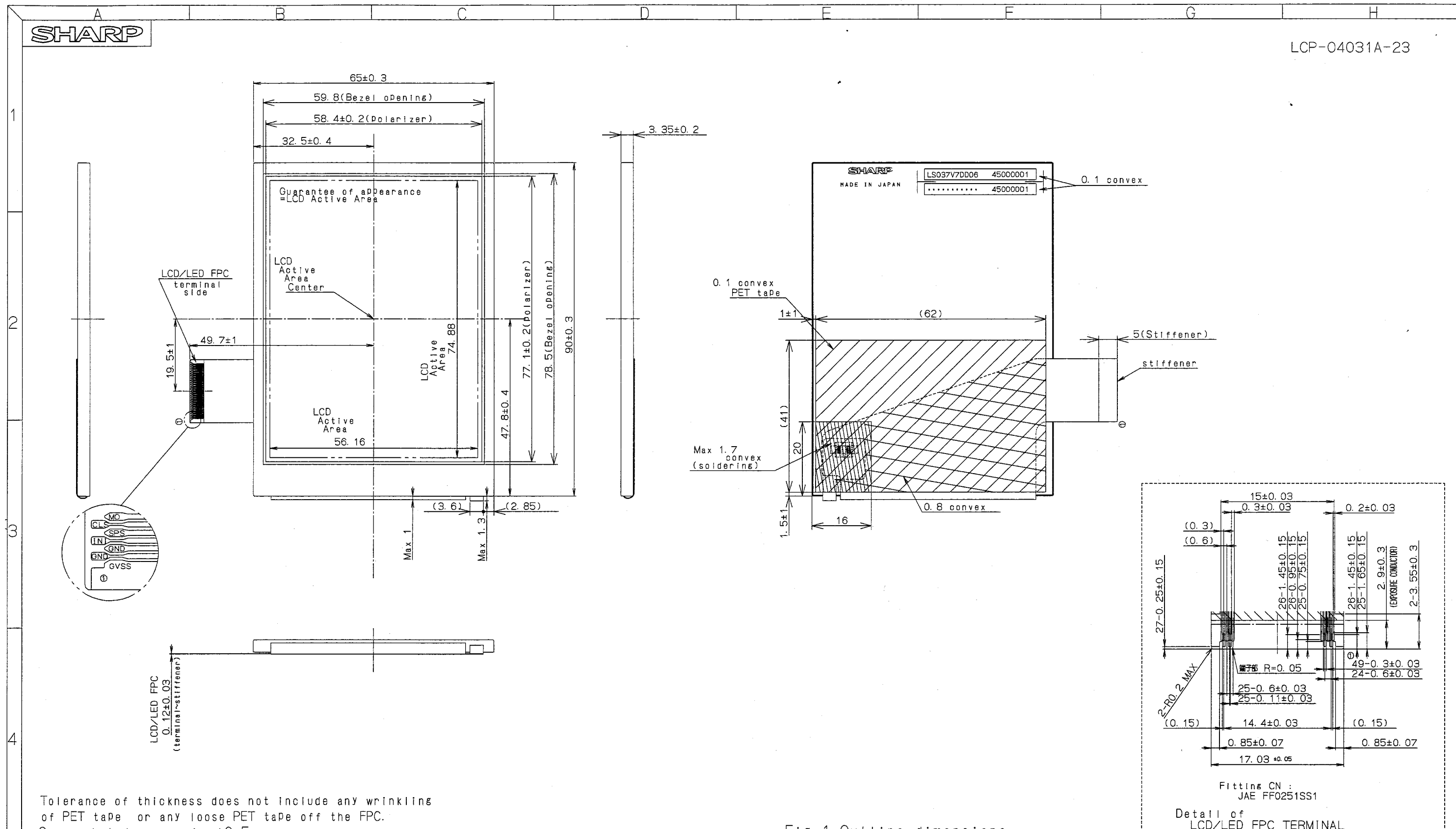
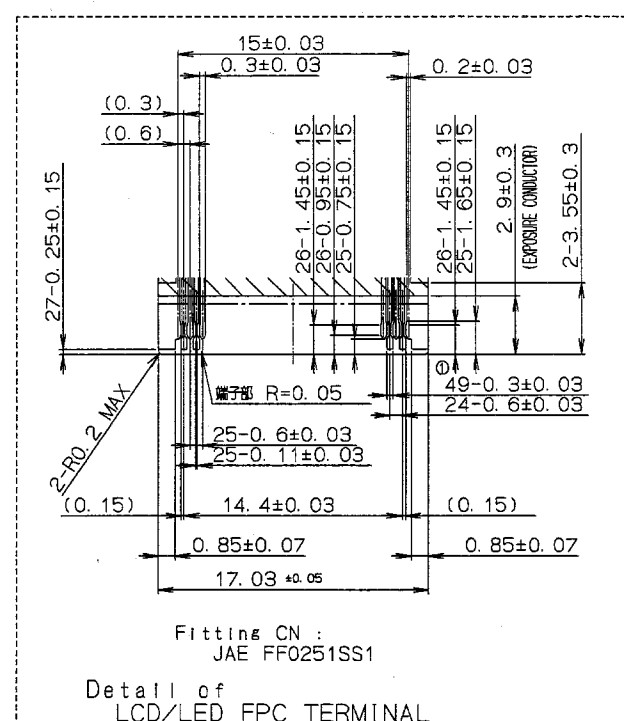


Fig. 1 Outline dimensions

Tolerance of thickness does not include any wrinkling of PET tape or any loose PET tape off the FPC.
 General tolerance is ± 0.5 .
 LCD-FPC should be bended only in bending area.
 LCD/LED FPC bend larger than 0.6 in radius.
 Take care in set design to hide the scratches and bubbles appeared on the Polarizer or other frame area which is located outside of guarantee area.
 The light of Back Light is leaking from BM outside. Please light shielding by the set.
 The tolerance of module width excludes warp of case.
 Guarantee of appearance = LCD Active Area.



Fitting CN : JAE FF0251SS1

Detail of LCD/LED FPC TERMINAL

5					ORIGINAL MODEL	LS037V7DD06
4					画面サイズ	93.6(3.69")
3					ACTIVE AREA SIZE	0.117mm 480RGBx640
2					尺度 SCALE	1/1
1					DATE	13/Jul/2004
改訂日 改訂記事 REVISION 担当					名称	3.7" Module Outline dimension
設計	製図	検図	検図	承認	単位	mm
J.N	西本	松本	岡本	中計	名称	ユーザー
SHARP CORPORATION					原紙サイズ	A3
					図番	LDM-03101

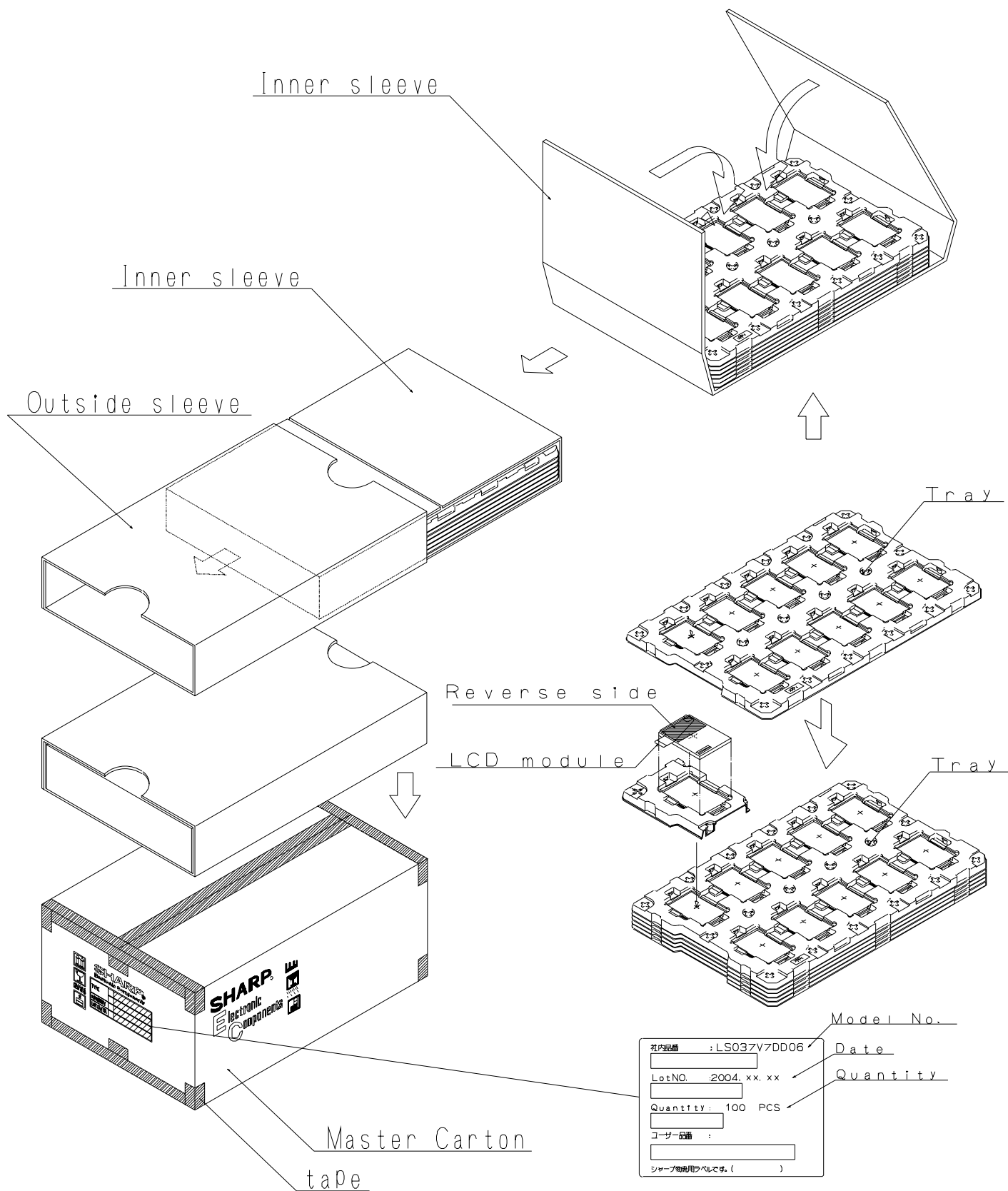


Fig2. Package Form